



8 CHANNEL PROCESS SCANNER

MS L14

APPLICATIONS

Pharma & Chemical Industry application

Generator
Monitoring & Protection

Remote terminal unit (RTU) For SCADA

Compressor/Pump/DG set monitoring

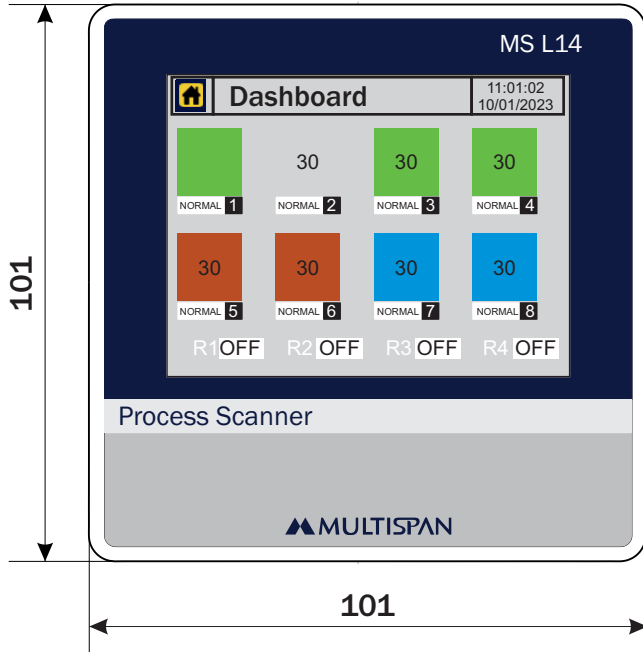
Machine Condition Monitoring

As a distributed I/O module
for interface with PLC/DCS/SCADA

Laboratory Equipment Monitoring

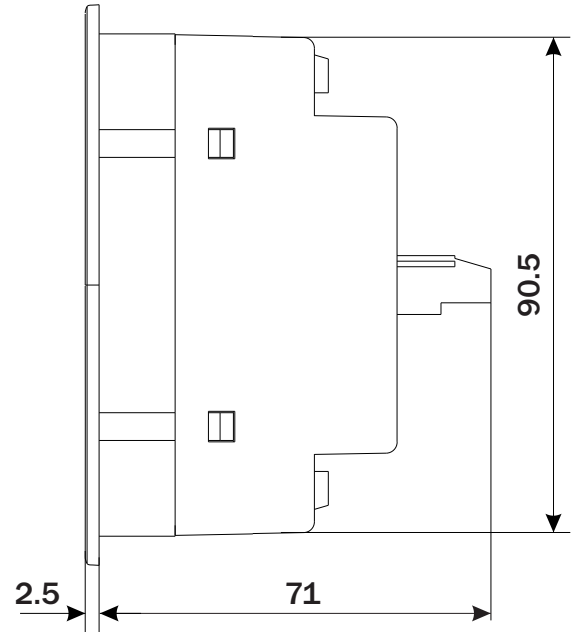
Mechanical Dimensions

Body Dimensions



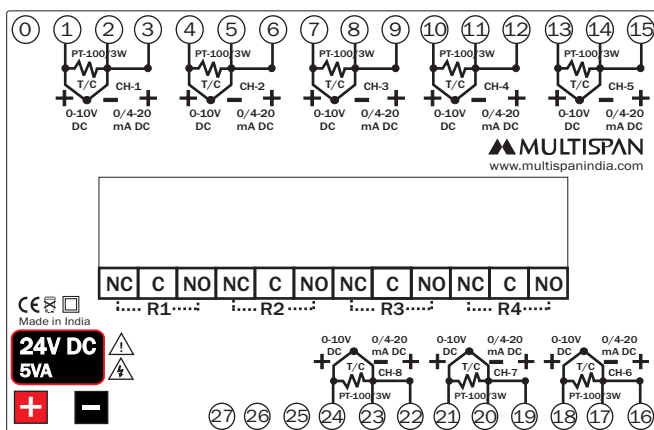
FRONT VIEW

All dimensions are in mm

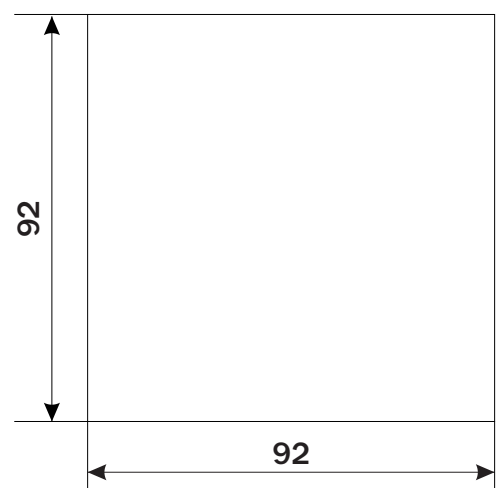


RIGHT SIDE VIEW


Connection Diagram



Panel Cutout



TECHNICAL DATA

Input	Thermocouple	J / K
	RTD	PT-100 3 Wire / 2 Wire
	Analog	0-10V DC/ 0-20mA DC/ 4-20mA DC
Range	Thermocouple	J: 0 to 600 °C , K: 0 to 1200 °C
	RTD	PT-100: -99 °C to 400 °C , PT.1: -99.9 °C to 400.0 °C
	Analog	-999 to 9999
Output	4 Relay With Grouping Facility	
Power Supply	24V DC , 50/60Hz , Approx 5VA	
Accuracy	± 1 % FSD	
Certification		

Input

ADC Resolution	12 Bit
Display Resolution	Thermocouple : 1 °C RTD : 1 °C / 0.1 °C Analog input : 0000/000.0/00.00/0.000 Decimal Point selectable
Sampling Rate	250 mS / Channel

Input Range

Input Type	Range
J	0 to 600 °C
K	0 to 1200 °C
PT-100	-99 to 400 °C
PT.1	-99.9 to 400.0 °C
4-20mA DC	-999 to 9999
0-20mA DC	-999 to 9999
0-10V DC	-999 to 9999

Display

Display	320 x 240 Px Resistive Touch Screen Display
----------------	---

Power Supply

Standard	24V DC , 50/60Hz
Consumption	Approx 5 VA

Relay Output

No of Relay	4
Type	1 C/O , NO-C-NC
Rating	10A @ 230V AC/30V DC

Accuracy

J , K , PT-100 , PT.1 , 4-20mA DC, 0-20mA DC, 0-10V DC	± 1 % FSD
CJC error	±3 °C
T/C Burnout current	1.10uA
RTD excitation current	0.2mA
CMRR	> 120 db (Typical)
Input Impedance	> 1 M
Max Voltage	20V DC

Environmental Characteristics

Working Temperature	0 to 55 °C
Storage Temperature	0 to 55 °C
Relative Humidity	95% RH Non-condensing
Warm up time	5 minutes
Ingress Protection	IP 65 (Front Side)

Mechanical Characteristics

Mounting Type	Panel Mount
Dimension (HxWxD) mm	101 x 101 x 71
Panel Cutout (HxW) mm	92 x 92
Material	Body Enclosure
	Polycarbonate (PC) ABS
Terminal Screw Size	M3.5
Screw Torque (N.m)	1
Wire Gauge (AWG)	26-14
Accessories	1 Pair of Clamps